

EMC-SUPPRESSORS FOR VALVE PLUG

Diode and LED, 24VDC/60VA/W

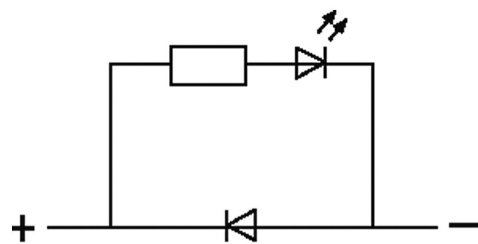
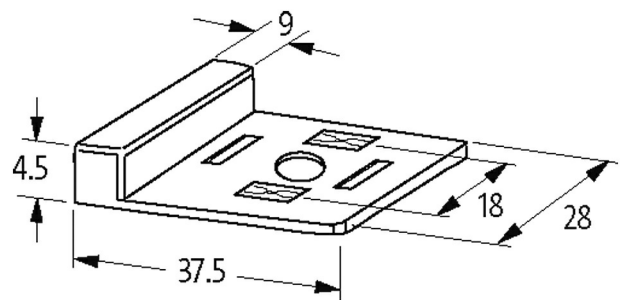
24 V AC/DC

Diode + LED (green)

Remove plug gasket when fitting adapter. Other LED colors on request.

[Link to Product](#)

Illustration



LED + Diode

Product may differ from Image

General data

Temperature range	-20...+60 °C
Dimensions H×W×D	4.5×37.5×28 mm
Material (contact)	Silvered bronze

Technical Data

Pin spacing	Form A (18 mm)
Switch off peak	1 V
Switch off delay time	max. 200 ms
max. power (W)	max. 60 W (VA)
LED display	(yellow opac)
Material	PUR

Commercial data

country of origin	DE
customs tariff number	85363010
EAN	4048879011310
eClass	27371013
Packaging unit	1