

VALVE PLUG SUPPRESSOR FORM BI - 11MM 90°

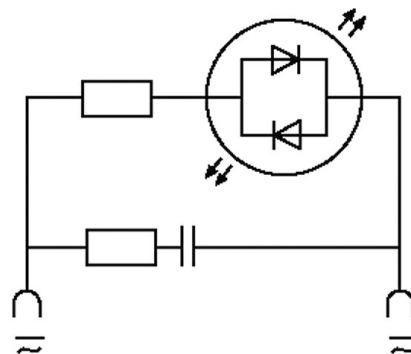
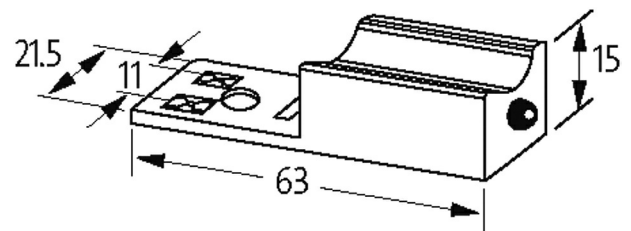
RC and LED, 230VAC/DC/10VA/W

230 V AC/DC

RC + LED

Remove plug gasket when fitting adapter. Other LED colors on request.

Note PIN arrangement (PE at cable outlet of connector). 180° turned version on request.

[Link to Product](#)**Illustration**

LED + RC

Product may differ from Image

General data	
Dimensions HxWxD	15x63x21.5 mm
Housing	Polyamide black, flame retardant, temperature resistance up to 130 °C
Temperature range	-20...+60 °C
Material (contact)	Silvered bronze
Technical Data	
Switch off delay time	max. 20 ms
Switch off peak	max. 300 V
max. power (W)	max. 10 W (VA)

LED display (yellow opac)

Commercial data	
country of origin	CZ
customs tariff number	85363010
EAN	4048879012027
eClass	27371013
Packaging unit	1