

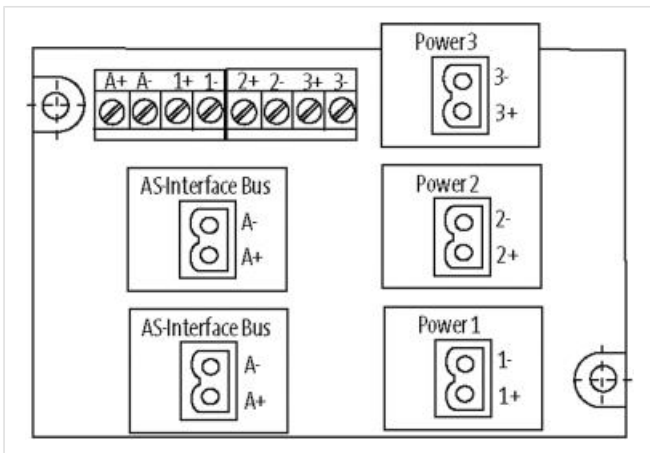
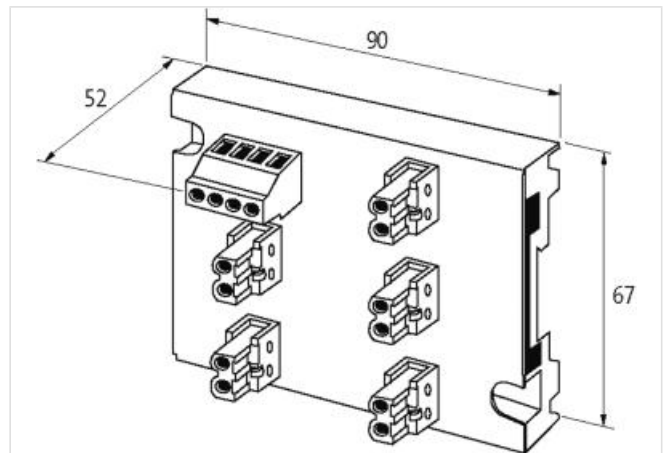
### MASI20 INSTALLATION TECHNOLOGY

Distributor 2x AS-I and 3x extern power

2 AS-Interface + 3 power ports  
 potentially separated  
 5 plug terminals included

[Link to Product](#)

**Illustration**



Product may differ from Image



**Commercial data**

ECLASS-6.0	27279219
ECLASS-6.1	27279219
ECLASS-7.0	27279219
ECLASS-8.0	27279219
ECLASS-9.0	27440108
ECLASS-10.1	27440111

ECLASS-11.1	27440111
ECLASS-12.0	27440111
ETIM-5.0	EC001596
customs tariff number	85176200
GTIN	4048879050593
Packaging unit	1

**Electrical data | Supply**

Operating voltage DC max.	36 V
Current operating per port max.	8 A
Total current max.	24 A

**Device protection | Electrical**

Insulation strength ASI/Power	200 V
Degree of protection (EN IEC 60529)	IP20

**Mechanical data | Mounting data**

Mounting method	geschnappt
Suitable for mounting type	(EN 60715), mounting rail
Height	52 mm
Width	67 mm
Depth	90 mm

**Environmental characteristics | Climatic**

Operating temperature min.	-20 °C
Operating temperature max.	70 °C
Storage temperature min.	-40 °C
Storage temperature max.	80 °C

**Conformities, approvals, certificates**

Product standard	EN 60664-1
------------------	------------

**Connection type 5**

Connection type 1	Asi Bus
Connection type 2	Power 1
Connection type 3	Power 2
Connection type 4	Power 3
Connection	Screw terminals SK
Family construction form	terminal
Gender	female
Color contact carrier	green
No. of poles	2
Connection	Screw terminals SK
Family construction form	terminal
Gender	female
Color contact carrier	green
No. of poles	2
Connection	Screw terminals SK
Family construction form	terminal
Gender	female
Color contact carrier	green
No. of poles	2
Connection	Screw terminals SK
Family construction form	terminal
Gender	female
Color contact carrier	green
No. of poles	2
Connection	Screw terminals SK

Family construction form	terminal
Gender	female
Color contact carrier	green
No. of poles	8