

MVK I/O COMPACT MODULE, METAL

Profibus DP, 8 multif.channels / 8 dig. In / Diag

Digital inputs/outputs

DIO8 DI8

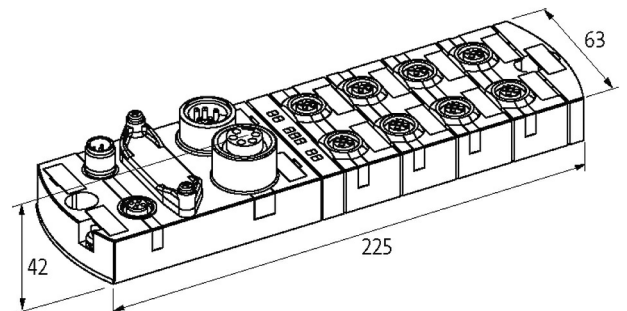
PROFIBUS 12 Mbit/s; M12, B-coded

7/8", 5-pole, 2× max. 9 A

M12, 5-pole, A-coded

Connection cables are in the online shop under "Connection Technology".

Housing fully potted.

[Link to Product](#)**Illustration**

Product may differ from Image

Approvals**More Info****PROFIBUS**

Addressing Rotary switch 1...99

General data

Protection IP67

Mounting method 2-hole screw mounting

Dimensions H×W×D	42×63×225 mm
Temperature range	-25...+55 °C (storage temperature -25...+70 °C)
Output	
Actuator supply UA	24 V DC (EN 61131-2), max. 9 A
Switching current per output	max. 1.6 A (short-circuit and overload protected)
Lamp load	10 W
Input	
Sensor supply US	24 V DC (EN 61131-2), max. 200 mA (M12 female), short-circuit and overload protected
Type	for 3-wire sensors or mechanical switches, PNP
Parameterization	
PIN 4	Input/Output
PIN 2	Input/Diagnostic
Connections	
Fieldbus	PROFIBUS 12 Mbit/s; M12, B-coded
Sensor-system/actuator supply	7/8", 5-pole, 2× max. 9 A
I/O ports	M12, 5-pole, A-coded
Diagnostic	
Communication status	via LED
Diagnostic via LED	per module and channel
Diagnostic via BUS	per module and channel
Monitoring - under voltage	yes
Monitoring - no voltage	yes
Short-circuit and overload	yes
Actuator warning	per channel via LED and BUS
Cable break	per port
Commercial data	
country of origin	DE
customs tariff number	85389099
EAN	4048879051477
eClass	27242604
Packaging unit	1