

MASI67 INSTALLATION TECHNOLOGY

Distribution 1x profile- to 3x profile cable

MASI67 distribution boxes

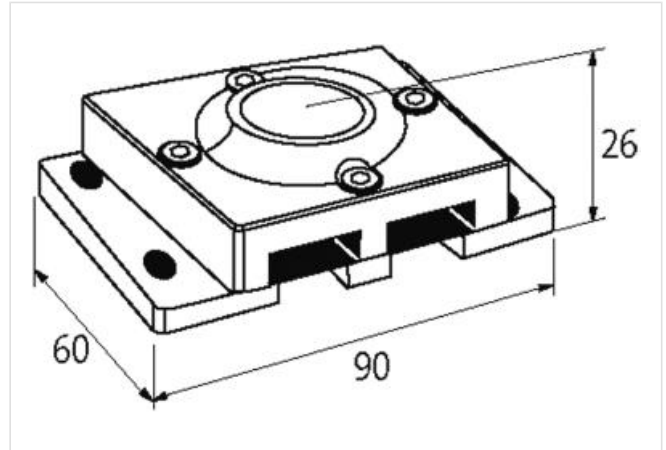
1x on 3x profile cable

[Link to Product](#)

Illustration



Product may differ from Image



Commercial data

ECLASS-6.0	27400209
ECLASS-6.1	27279219
ECLASS-7.0	27279219
ECLASS-8.0	27279219
ECLASS-9.0	27440108
ECLASS-10.1	27440111
ECLASS-11.1	27440111
ECLASS-12.0	27440111
ETIM-5.0	EC001583
customs tariff number	85369010
GTIN	4048879052177
Packaging unit	1

Electrical data | Supply

Operating voltage DC max.	36 V
Total current max.	8 A

Device protection | Electrical

Degree of protection (EN IEC 60529)	IP67
Insulation strength ASI/Power	200 V

Mechanical data | Mounting data

Mounting method	screwed, geschnappt
Suitable for mounting type	mounting rail, (EN 60715)
Height	90 mm

Width	74 mm
Depth	26 mm

Environmental characteristics | Climatic

Operating temperature min.	-20 °C
Operating temperature max.	60 °C
Storage temperature min.	-40 °C
Storage temperature max.	80 °C

Conformities, approvals, certificates

Product standard	EN 60664-1
------------------	------------