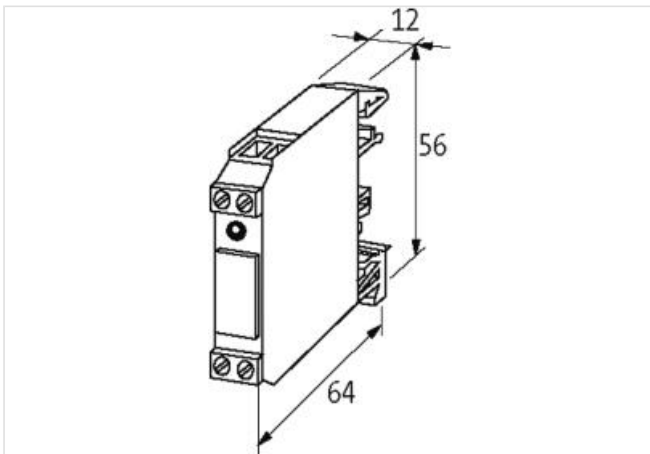
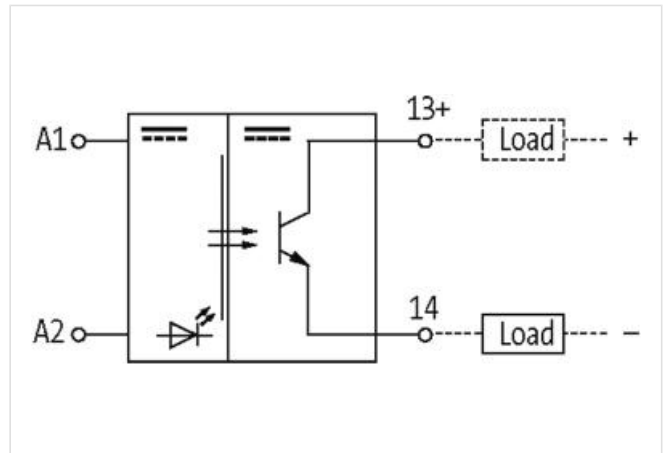


AMMS 18-1 OPTO-COUPLER MODULE

IN: 30 VDC - OUT: 30 VDC / 1,2 A

Transistor 2 A
24 V DC[Link to Product](#)**Illustration**

Product may differ from Image

**General data**

Mounting method	DIN-rail mountable TH35 or G32 (EN 60715)
Temperature range	-20...+60 °C
Test isolation voltage	2.5 kV
Housing	Black plastic, flame retardant

Output

Switching time ON/OFF	1.5 µs/1 ms
Switching voltage	6...30 V DC

Switching frequency	max. 20 kHz
---------------------	-------------

Switching current per output	1 mA...1.2 A
------------------------------	--------------

Output current	max. 1.2 A
----------------	------------

Input

Voltage range ON	6...30 V DC
------------------	-------------

LED display	LED (red)
-------------	-----------

Input current	8.5 mA (24 V DC)
---------------	------------------

Product article number of manufacturer	50201
--	-------