

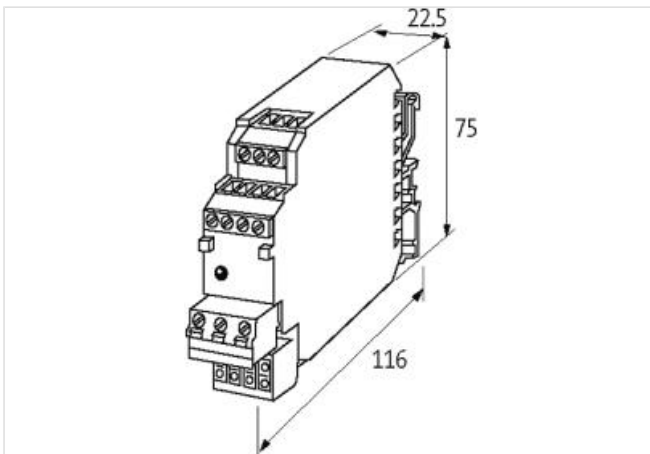
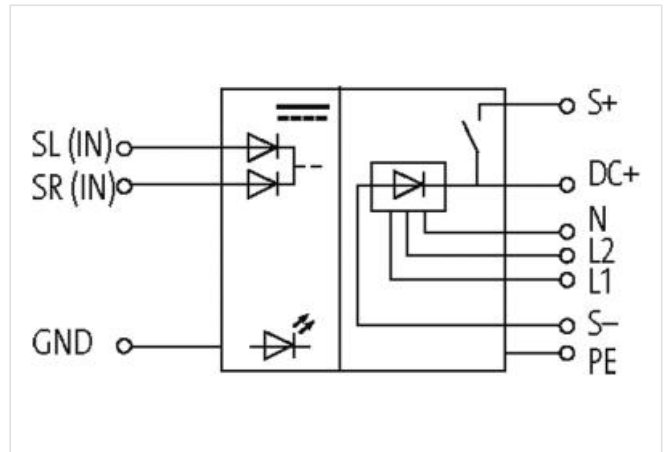
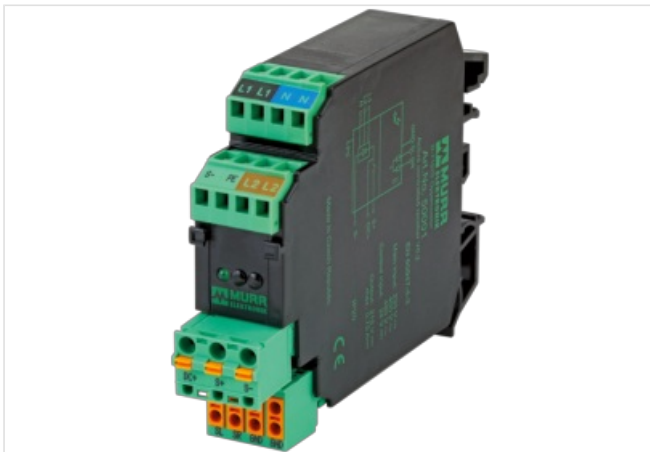
Active controlled rectifier V0.2

IN: 24 VDC - OUT: 200 VDC / 0,75 A

Control voltage: 24 V DC
 OUTPUT: 180, 205, 215 V DC
 Spring clamp terminals
 Condensation not permitted

[Link to Product](#)

Illustration



Product may differ from Image



Commercial data

ECLASS-6.0	27371604
ECLASS-6.1	27040390
ECLASS-7.0	27040390
ECLASS-8.0	27040390
ECLASS-9.0	27040390
ECLASS-10.1	27040390

ECLASS-11.1	27040390
ECLASS-12.0	27040390
ETIM-5.0	EC001504
customs tariff number	85044083
GTIN	4048879028097
Packaging unit	1

Electrical data | Input

Input voltage 1 AC	230 V
Input voltage 2 AC	400 V
Input voltage 3 AC	480 V
Input voltage OFF DC max.	5 V
Input current DC max.	0,4 A
Control voltage DC	24 V
Control voltage DC min.	10 V

Electrical data | Output

Output voltage	205 V DC (230 V AC); 180 V DC (400 V AC); 215 V DC (480 V AC)
Output current max.	0,75 A
Switching frequency max.	2,5 Hz

Diagnostics

Status indication LED	green
-----------------------	-------

Device protection | Electrical

Degree of protection (EN IEC 60529)	IP20
Invers-polarity protection	yes

Mechanical data | Mounting data

Mounting method	geschnappt
Suitable for mounting type	mounting rail, (EN 60715)
Height	22,5 mm
Width	75 mm
Depth	85 mm

Environmental characteristics | Climatic

Operating temperature min.	0 °C
Operating temperature max.	55 °C
Storage temperature min.	-20 °C
Storage temperature max.	60 °C

Connection type 4

Connection	Spring clamp terminals FK
Family construction form	terminal
Gender	female
No. of poles	3
PIN 1	DC +
PIN 2	S +
PIN 3	S -
Connection	Spring clamp terminals FK
Family construction form	terminal
Gender	female
No. of poles	4
PIN 1	SL
PIN 2	SR
PIN 3	0 V
PIN 4	0 V
Connection	Spring clamp terminals FK

Family construction form	terminal
Gender	female
No. of poles	4
PIN 1	S -
PIN 2	NC
PIN 3	L 2
PIN 4	L 2
Connection	Spring clamp terminals FK
Family construction form	terminal
Gender	female
No. of poles	4
PIN 1	L 1
PIN 2	L 1
PIN 3	N
PIN 4	N