

**MVP12, 6XM12, 4POLE, PLUG. CAP SCT.**

Plug. cap, field-wireable via screw terminals

6-way, 4-pole

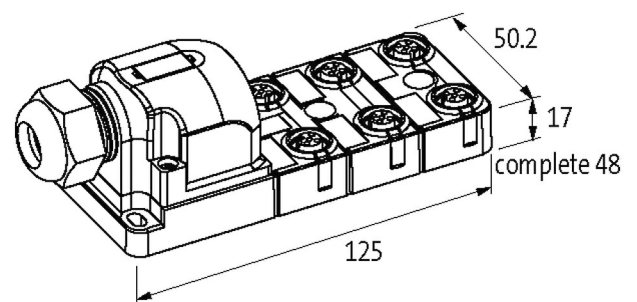
Screw plug-in terminals

Potential separation as option

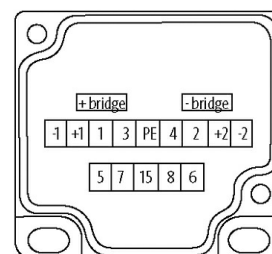
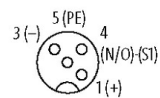
with LED for digital PNP-signals 24 V DC

Plastic housings with good resistance against chemicals and oils.

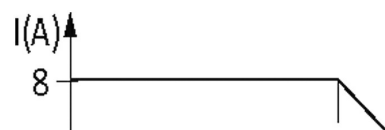
The resistance to aggressive media should be individually tested for your application. Further details on request.

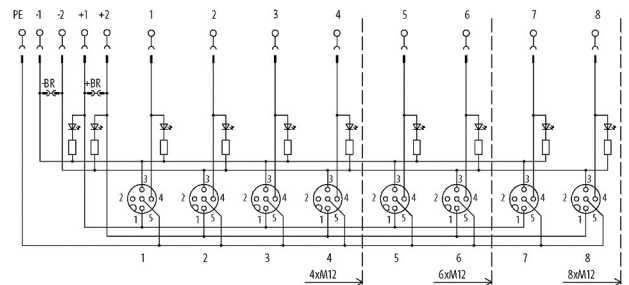
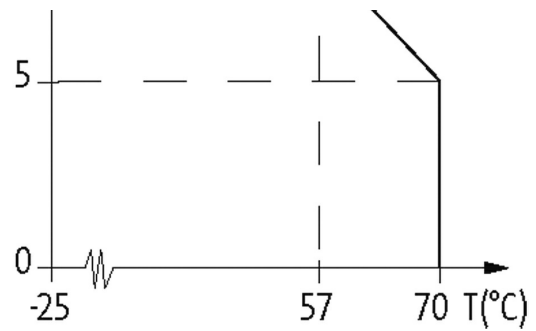
[Link to Product](#)**Illustration**

M12 Females 4-pole



for 2 signals per port





Product may differ from Image

### Approvals



### General data

Temperature range	-20...+80 °C
Dimensions H×W×D	125×50.2×17 mm

### Technical Data

Operating voltage	24 V DC
Signal per port	1 - (31-32)
Operating current per contact	max. 4 A
Total current	max. 2× 8 A
Connection	Screw plug-in terminals: max. 1.5 mm <sup>2</sup> (AWG 16)
Housing	Plastic, flame retardant
Protection	IP67 inserted and tightened (EN 60529)
Locking of ports	Screw thread (M12×1 mm)

### Contact Layout

PIN 1	(+)
PIN 3	(-)
PIN 4	(NO)/(S1)
PIN 5	(Earth)
	LED (green): Power / LED (yellow): (S1)

### Commercial data

country of origin	DE
customs tariff number	85369010
EAN	4048879063265

---

eClass	27279219
Packaging unit	1

---