

MVP12, 6XM12, 4POLE, PLUGGABLE CABLE

10.0m PUR/PVC 6x0,34+3x0,75

Further cable lengths on request.

Plastic housings with good resistance against chemicals and oils.

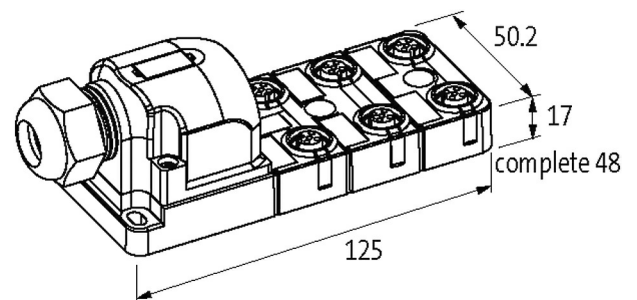
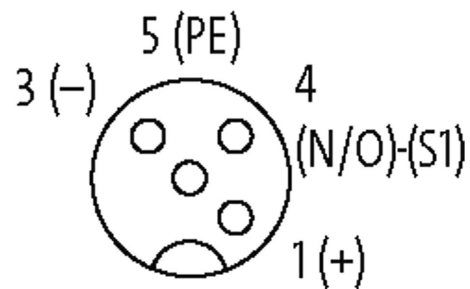
The resistance to aggressive media should be individually tested for your application. Further details on request.

6-way, 4-pole

PUR/PVC

10.0 m

with LED for digital PNP-signals 24 V DC

[Link to Product](#)**Illustration****M12 Females 4-pole**

Product may differ from Image

Approvals

**Technical Data**

Operating voltage	24 V DC \pm 25%
Housing	Plastic, flame retardant
Protection	IP65 and IP67 when plugged and screwed down (EN 60529)
Material	PBT
Signal per port	1 - (31-32)
Operating current per contact	max. 4 A
Total current	max. 8 A
Locking of ports	Screw thread (M12 \times 1 mm)

General data

Temperature range	-20...+80 °C
Dimensions H \times W \times D	125 \times 50.2 \times 17 mm

Cables

No./diameter of wires	4 \times 0.34 mm ²
Wire isolation	PP (br, wh, bl, bk)
Material (jacket)	PUR (UL/CSA)
Outer \varnothing	5.9 mm \pm 5%
Bend radius (moving)	10 \times outer \varnothing
Temperature range (fixed)	-40...+80 °C
Temperature range (mobile)	-20...+80 °C
Cable identification	335
Cable Type	PUR-OB
Approval (cable)	UL (AWM-Style 20233/1992), CSA; CE conform
Cable weight [g/m]	56,10
Material (wire)	Cu wire, bare
Resistor (core)	max. 52 Ω /km (20 °C)
Single wire \varnothing (core)	0.1 mm
Diameter (core)	4 \times 0.34 mm ²
Material (wire isolation)	PP
Material property (wire isolation)	CFC-, halogen-, cadmium-, silicone- and lead-free
Shore hardness (wire isolation)	72 \pm 3 D
Wire- \varnothing incl. isolation	1.55 mm \pm 5%
Color/numbering of wires	br, bk, bl, wh
Stranding combination	4 wires twisted
Shield	yes
optical shield cover	min. 85%
Material (jacket)	PUR
Shore hardness (jacket)	85 \pm 3 A
Outer- \varnothing (jacket)	5.9 mm \pm 5%
Color (jacket)	gray
chemical resistance	good resistance to oil, gasoline and chemicals (VDE 0472 Teil 803 Test B)
thermal resistance	flame retardant UL VW1, CSA FT1
Nominal voltage	300 V AC
Test voltage	2000 V AC

Temperature range (fixed)	-40...+80 °C
Temperature range (mobile)	-20...+80 °C
Bend radius (fixed)	10× outer Ø
Jacket Color	gray

Contact Layout

PIN 1	(+)
PIN 3	(-)
PIN 4	(NO)/(S1)
PIN 5	(Earth)
	LED (green): Power / LED (yellow): (S1)

Commercial data

country of origin	CZ
customs tariff number	85444290
EAN	4048879064606
eClass	27279219
Packaging unit	1