

SIEMENS CONTACTOR SUPPRESSOR

Varistor, 230VAC/DC

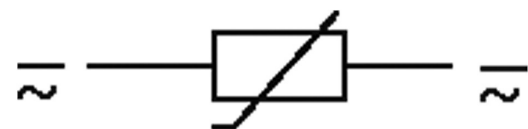
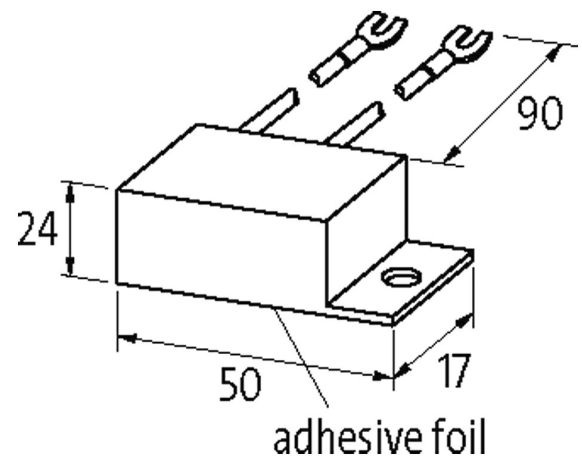
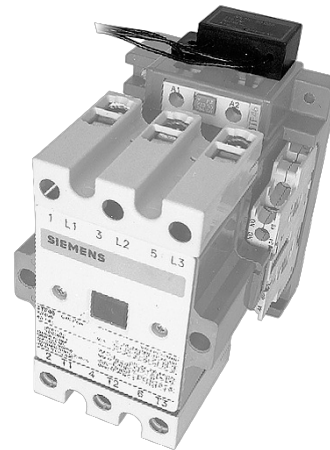
230 V AC/DC

VDR

For other configurations and voltages, please inquire.

[Link to Product](#)

Illustration



VDR

Product may differ from Image

Technical Data

Damping factor	approx. 1.5× UN
Material	Flame retardant plastic acc. to (UL 94)
Connection wires	self-securing cable forks

General data

Dimensions H×W×D	24×50×17 mm
Temperature range	-20...+70 °C

Appropriate contactors

3 TF 46...50; 3 TB 48...56; 3 TC 48...56

Commercial data

country of origin	CZ
customs tariff number	85363010
EAN	4048879017237
eClass	27371013
Packaging unit	1