

SIEMENS CONTACTOR SUPPRESSOR

Diode, 0...240VDC

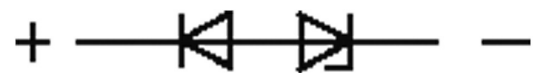
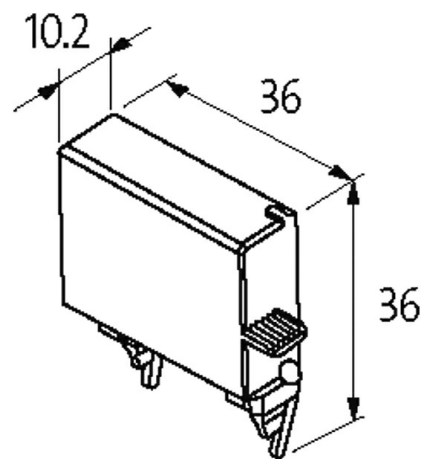
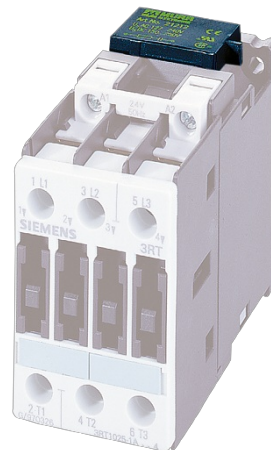
24 V AC/DC

Diode/Z-Diode

For other configurations and voltages, please inquire.

[Link to Product](#)

Illustration



Diode/Z-Diode

Product may differ from Image

Approvals



General data

Dimensions H×W×D 36×36×10.2 mm

Temperature range -20...+70 °C

Appropriate contactors

3 RT 10.24/25/26

Commercial data

| | |
|-----------------------|---------------|
| country of origin | CZ |
| customs tariff number | 85363010 |
| EAN | 4048879017558 |
| eClass | 27371013 |
| Packaging unit | 1 |