

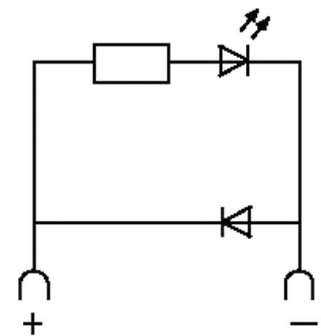
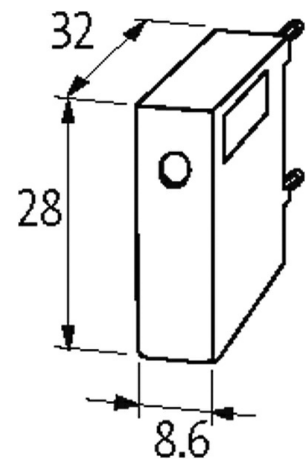
SIEMENS CONTACTOR SUPPRESSOR

Zener diode, 24VDC

24 V AC/DC
Diode/Z-Diode

[Link to Product](#)

Illustration



Diode + LED

Product may differ from Image

Approvals



General data

Dimensions H×W×D	28×8.6×32 mm
------------------	--------------

Appropriate contactors

Appropriate contactors	3 RH 1/11; 3 RT 1/3 RH1; 3 RT 1/10.15...10.17
------------------------	---

Commercial data

country of origin	DE
customs tariff number	85363010
EAN	4048879017626
eClass	27371013
Packaging unit	1