

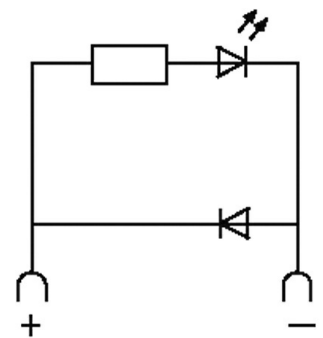
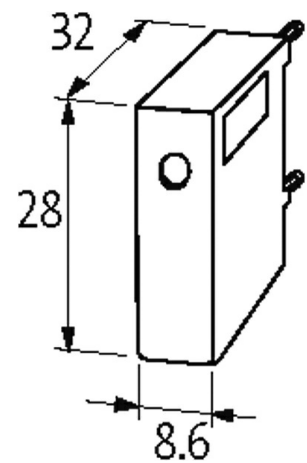
SIEMENS CONTACTOR SUPPRESSOR

Diode and LED, 24VDC

24 V DC
Diode + LED

[Link to Product](#)

Illustration



Diode + LED

Product may differ from Image

Approvals



General data

Dimensions H×W×D 28×8.6×32 mm

Appropriate contactors

Appropriate contactors 3 RH 1/11; 3 RT 1/3 RH1; 3 RT 1/10.15...10.17

Commercial data

country of origin	DE
customs tariff number	85363010
EAN	4048879017633
eClass	27371013
Packaging unit	1