

SUPPRESSOR FOR SIEMENS CONTACTOR

Diode combination, 24 VDC, 36 W

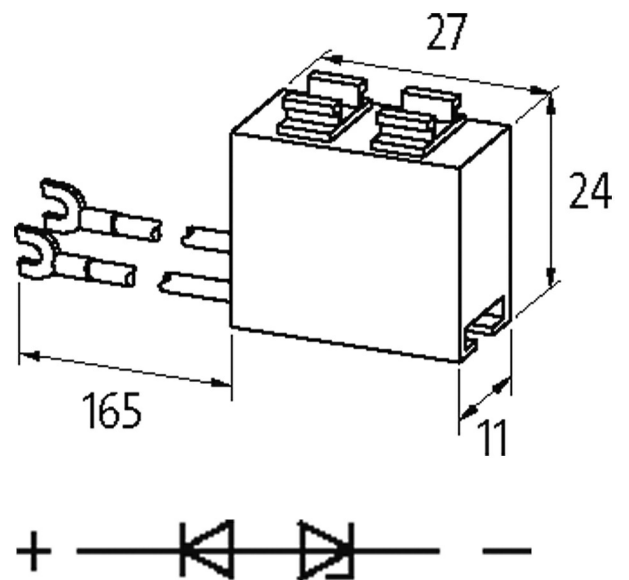
24 V DC

Diode/Z-Diode

For other configurations and voltages, please inquire.

[Link to Product](#)

Illustration



Diode/Z-Diode

Product may differ from Image

Approvals



General data

Dimensions H×W×D 11×27×24 mm

Temperature range -20...+70 °C

Technical Data

Damping factor	approx. 1.5× UN
Material	Flame retardant plastic acc. to (UL 94)
Connection wires	self-securing cable forks

Appropriate contactors

universal

Commercial data

country of origin	CZ
customs tariff number	85363010
EAN	4048879018012
eClass	27371013
Packaging unit	1