

SUPPRESSOR FOR CONTACTORS

Diode, 24....240 VDC, 50 W

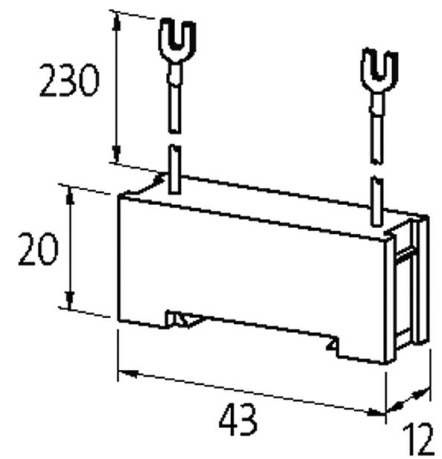
24...240 V DC

Diode

For other configurations and voltages, please inquire.

[Link to Product](#)

Illustration



Diode

Product may differ from Image

Approvals



General data

Dimensions H×W×D 20×43×12 mm

Temperature range -20...+70 °C

Technical Data

max. power (W) 50 W (VA)

Appropriate contactors

universal

Commercial data

country of origin CZ

customs tariff number 85363010

EAN 4048879018647

eClass 27371013

Packaging unit 1