

MOTOR SUPPRESSOR

Varistor, 3x575VAC/4kW

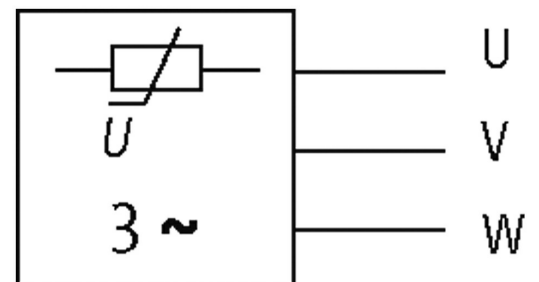
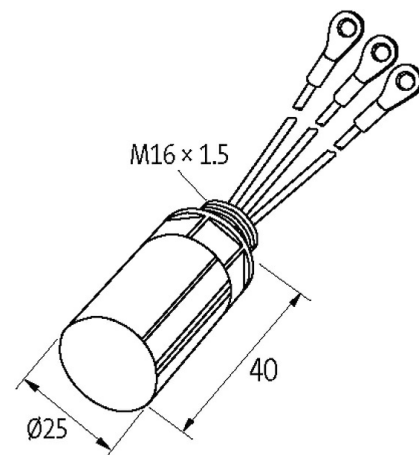
3× 575 V AC

VDR

Suppressors for other voltages, frequencies, and motor ratings available on request. Do not use RC motor suppressors with frequency inverters.

[Link to Product](#)

Illustration



VDR

Product may differ from Image

Approvals



General data

Connection approx. 100 mm, single cores 0.5 mm²

Mounting method	on motor terminal box with plug connector
-----------------	---

Temperature range	-20...+60 °C
-------------------	--------------

Dimensions H×W×D	25×25×40 mm
------------------	-------------

Technical Data

Material	Flame retardant plastic acc. to (UL 94)
----------	---

Potting compound	2-component epoxy
------------------	-------------------

Ring terminals	isolated M6
----------------	-------------

Commercial data

country of origin	CZ
-------------------	----

customs tariff number	85363010
-----------------------	----------

EAN	4048879018913
-----	---------------

eClass	27371013
--------	----------

Packaging unit	1
----------------	---