

## MOTOR SUPPRESSOR

Varistor, 3x400VAC/7,5kW

3× 400 V AC

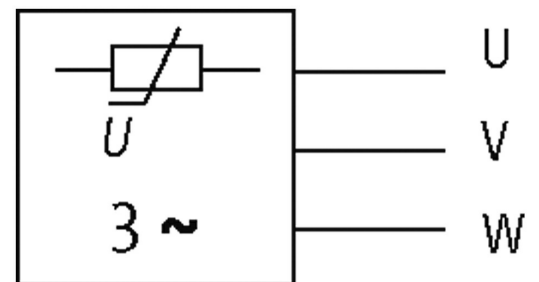
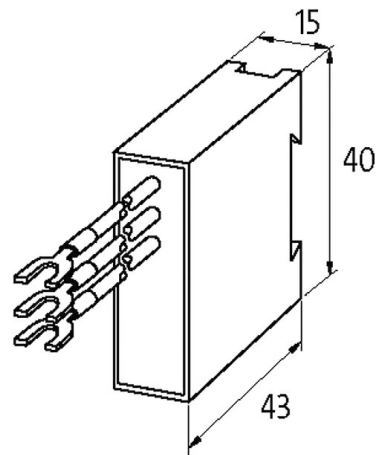
VDR

For DIN-rail mounting use Art.-No. 20900 adapter feet

Suppressors for other voltages, frequencies, and motor ratings available on request. Do not use RC motor suppressors with frequency inverters.

### [Link to Product](#)

Illustration



VDR

Product may differ from Image

## Approvals



## Technical Data

Material	Flame retardant plastic acc. to (UL 94)
Potting compound	2-component epoxy
Frequency	10...400 Hz

**General data**

Connection	approx. 200 mm, single cores 0.35 mm <sup>2</sup> self-securing fork terminal ends M4
Mounting method	DIN-rail mountable TH35 (EN 60715)
Temperature range	-20...+60 °C
Dimensions H×W×D	43×15×40 mm

**Commercial data**

country of origin	CZ
customs tariff number	85363010
EAN	4048879019262
eClass	27371013
Packaging unit	1