

SIEMENS CONTACTOR SUPPRESSOR

RC, 230VAC/DC

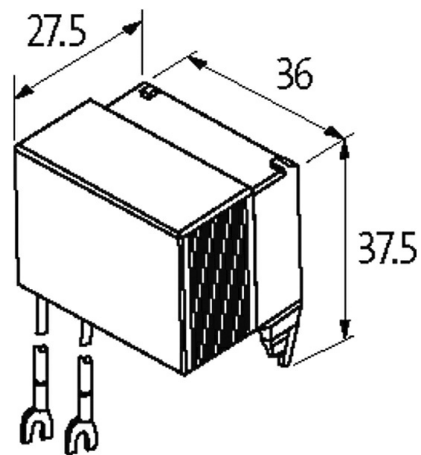
230 V AC/DC

RC

For other configurations and voltages, please inquire.

[Link to Product](#)

Illustration



RC

Product may differ from Image

Technical Data

| | |
|------------------|---|
| Damping factor | approx. 1.5× UN |
| Material | Flame retardant plastic acc. to (UL 94) |
| Connection wires | 45 mm with cable forks |

General data

| | |
|-------------------|-----------------|
| Temperature range | -20...+70 °C |
| Dimensions H×W×D | 37.5×36×27.5 mm |

Appropriate contactors

3 RT 1.5/6/7

Commercial data

| | |
|-----------------------|---------------|
| country of origin | CZ |
| customs tariff number | 85363010 |
| EAN | 4048879019880 |
| eClass | 27371013 |
| Packaging unit | 1 |