

SUPPRESSOR FOR CONTACTORS

RC, 400 VAC/DC, 100 VA

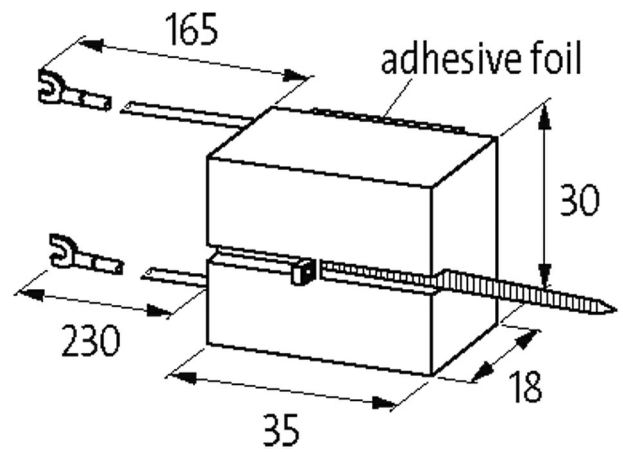
400 V AC/DC

RC

For other configurations and voltages, please inquire.

[Link to Product](#)

Illustration



RC

Product may differ from Image

Approvals



Technical Data

Damping factor approx. 1.5× UN

Material	Flame retardant plastic acc. to (UL 94)
----------	---

Connection wires	self-securing cable forks
------------------	---------------------------

max. power (W)	100 W (VA)
----------------	------------

General data

Dimensions H×W×D	35×30×18 mm
------------------	-------------

Temperature range	-20...+70 °C
-------------------	--------------

Appropriate contactors

	universal
--	-----------

Commercial data

country of origin	CZ
-------------------	----

customs tariff number	85363010
-----------------------	----------

EAN	4048879020664
-----	---------------

eClass	27371013
--------	----------

Packaging unit	1
----------------	---