

## Valve plug MSC SuperSeal female with cable

PUR 3x0.75 bk 3m

Xtreme - Outdoor

Male straight

max. 24 V DC

3-pole

without components

without cable sleeves

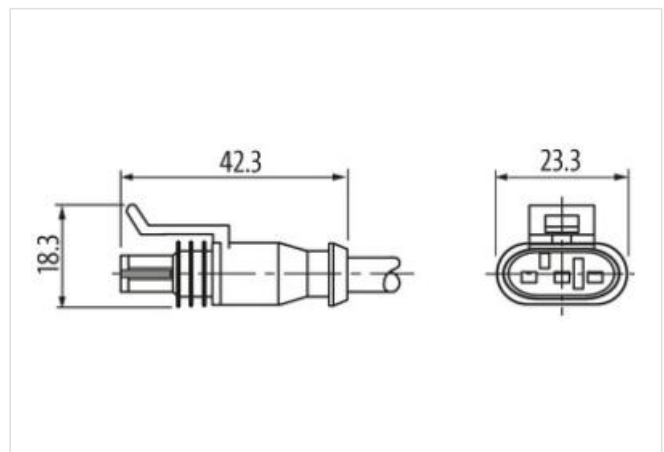
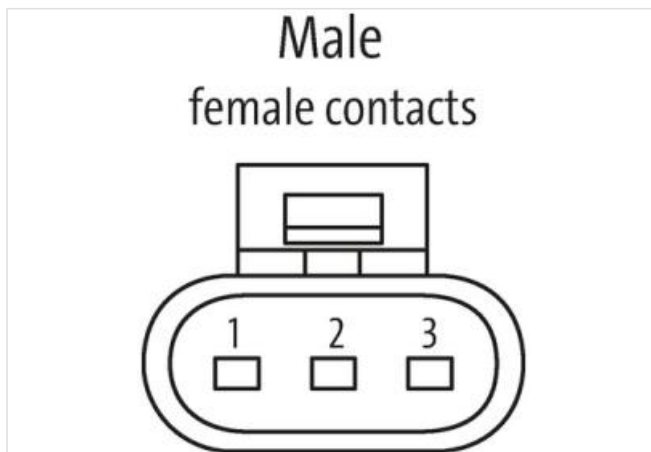
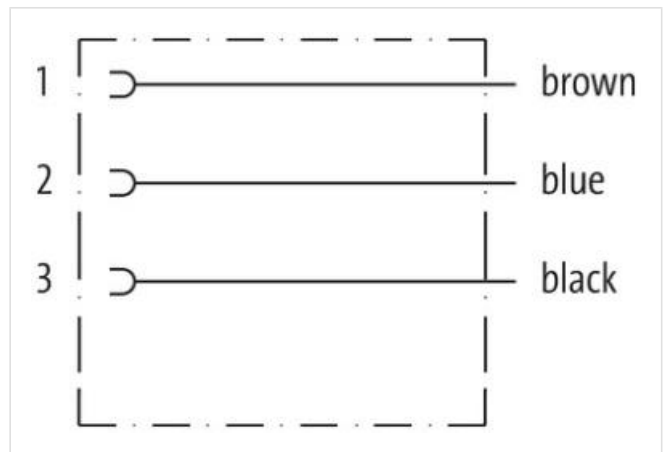
Plastic housings with good resistance against chemicals and oils.

The resistance to aggressive media should be individually tested for your application. Further details on request.

Further cable lengths on request.

### [Link to Product](#)

#### Illustration



Product may differ from Image

Cable length 3 m

#### Side 1

|                          |            |
|--------------------------|------------|
| Mounting method          | inserted   |
| Coating contact          | tin-plated |
| Family construction form | SuperSeal  |

|   |   |
|---|---|
| suitable for corrugated tube (internal Ø)       | 11 mm   |
| Material contact                                | Copper alloy  |
| No. of poles                                    | 3   |
| <b>Commercial data</b>                          |   |
| ECLASS-6.0                                      | 27279218  |
| ECLASS-6.1                                      | 27279218  |
| ECLASS-7.0                                      | 27279218  |
| ECLASS-8.0                                      | 27279218  |
| ECLASS-9.0                                      | 27060312  |
| ECLASS-10.1                                     | 27060312  |
| ECLASS-11.1                                     | 27060312  |
| ECLASS-12.0                                     | 27060312  |
| ETIM-5.0  | EC001855  |
| customs tariff number                           | 85444290  |
| GTIN  | 4048879682015   |
| Packaging unit                                  | 1   |
| <b>Electrical data   Supply</b>                 |   |
| Operating voltage DC max.                       | 24 V  |
| Current operating per contact max.              | 8 A   |
| <b>Diagnostics</b>                              |   |
| Status indication LED                           | no  |
| <b>Installation   Connection</b>                |   |
| Family construction form                        | AMP SuperSeal 1.5   |
| <b>Device protection   Electrical</b>           |   |
| Degree of protection (EN IEC 60529)             | IP67  |
| Additional condition protection degree          | inserted, locked  |
| Pollution Degree                                | 3   |
| Rated surge voltage                             | 1,5 kV  |
| Additional suppressor                           | without components  |
| <b>Mechanical data   Material data</b>          |   |
| Color housing                                   | black   |
| Material gasket                                 | Silicon   |
| Material housing                                | Plastic   |
| Material overmolding                            | PUR   |
| <b>Mechanical data   Mounting data</b>          |   |
| Looking techniques                              | Snap-in connector   |
| <b>Environmental characteristics   Climatic</b> |   |
| Operating temperature min.                      | -40 °C  |
| Operating temperature max.                      | 125 °C  |
| Additional condition temperature range          | depending on cable quality  |
| <b>Important installation notes</b>             |   |
| Note on strain relief                           | Protect the connectors by suitable measures from mechanical loads, e.g. by the usage of cable ties.   |
| Note on bending radius                          | <b>Attention:</b> Observe the permissible bending radii when laying cables, as the IP protection class can be endangered by excessive bending forces. |
| <b>Installation   Cable</b>                     |   |
| wire arrangement                                | brown, blue, black  |
| Cable identification                            | 513   |
| Jacket Color                                    | black   |
| Amount stranding                                | 1   |
| Stranding                                       | 3 wires twisted   |
| wire arrangement                                | brown, blue, black  |

|                                      |  |
|--------------------------------------|--|
| Material jacket                      | PUR  |
| Outer-diameter (jacket)              | 5,3 mm   |
| Tolerance outer diameter (sheath)    | ± 5 %  |
| Material wire insulation             | PP   |
| Amount wires                         | 3  |
| Conductor crosssection (wire)        | 0,75 mm <sup>2</sup>                                 |
| Current load capacity (standard)     | to DIN VDE 0298-4                                    |
| Current load capacity min. wire      | 12 A   |
| Min. operating temperature (static)  | -40 °C   |
| Max. operating temperature (fixed)   | 80 °C  |
| Operating temperature min. (dynamic) | -25 °C   |
| Operating temperature max. (dynamic) | 80 °C  |
| UV resistance                        | DIN EN ISO 4892-2 A                                  |
| Flame resistance                     | UL 1581 § 1090   UL 1581 § 1100 FT2   IEC 60332-2-2  |
| chemical resistance                  | Good, application-related testing                    |
| Gasoline resistance                  | Good, application-related testing                    |
| Oil resistance                       | Good, application-related testing   DIN EN 60811-404 |
| Bending radius (dynamic)             | 10 x Outer diameter                                  |