

**MQ15 female 90° with cable 600V AC type 3**

PVC 4x2.5 bk UL/CSA 20m

MQ15, 4-pole

Female 90°

with cable sleeves

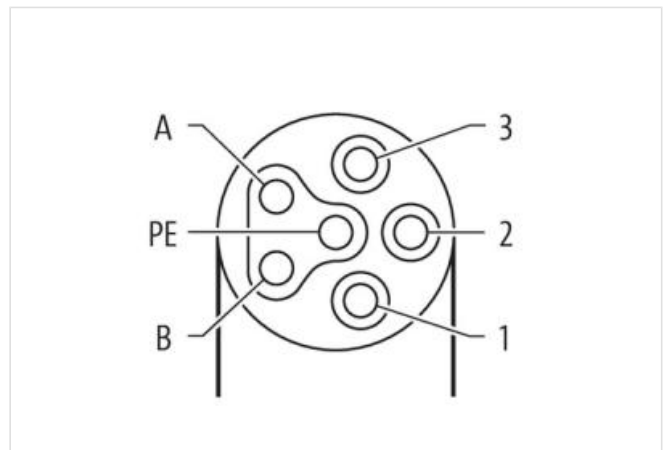
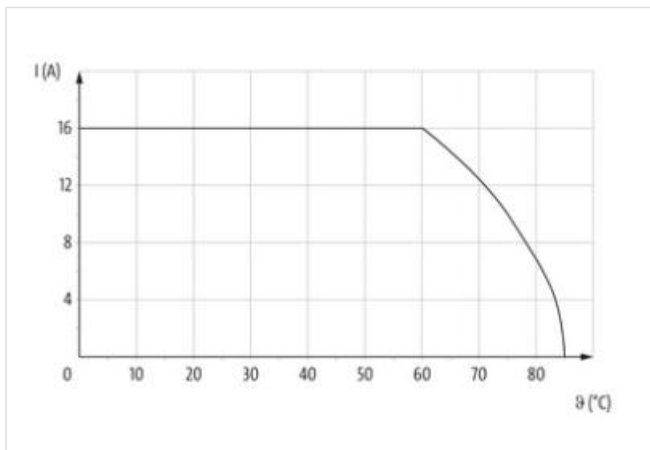
Plastic housings with good resistance against chemicals and oils.

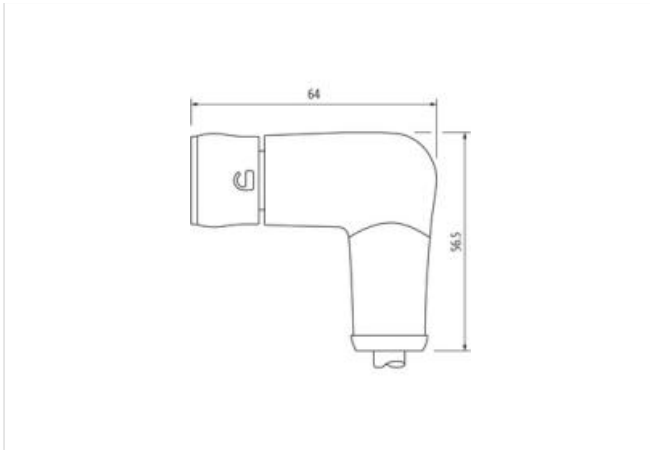
The resistance to aggressive media should be individually tested for your application. Further details on request.

Further cable lengths on request.

[Link to Product](#)**Illustration**

|    |       |
|----|-------|
| 1  | BK 1  |
| 2  | BK 2  |
| 3  | BK 3  |
| PE | GN YE |
| A  |       |
| B  |       |





Product may differ from Image



|              |      |
|--------------|------|
| Cable length | 20 m |
|--------------|------|

**Side 1**

|   |                  |
|---|------------------|
| Mounting method                           | inserted, locked |
| Coating contact                           | silver-plated    |
| Family construction form                  | MQ15             |
| suitable for corrugated tube (internal Ø) | 18 mm            |
| Cable outlet                              | angled           |
| Coding                                    | Type 3           |
| Material contact                          | Copper alloy     |
| No. of poles                              | 4                |
| Degree of protection (EN IEC 60529)       | IP65, IP67       |

**Side 2**

|                           |        |
|---------------------------|--------|
| Stripping length (jacket) | 100 mm |
|---------------------------|--------|

**Commercial data**

|                       |               |
|-----------------------|---------------|
| ECLASS-6.0            | 27279218      |
| ECLASS-6.1            | 27279218      |
| ECLASS-7.0            | 27279218      |
| ECLASS-8.0            | 27279218      |
| ECLASS-9.0            | 27060327      |
| ECLASS-10.1           | 27060311      |
| ECLASS-11.1           | 27060311      |
| ECLASS-12.0           | 27060327      |
| ETIM-5.0              | EC001855      |
| customs tariff number | 85444290      |
| GTIN                  | 4065909061947 |
| Packaging unit        | 1             |

**Electrical data | Supply**

|                                    |       |
|------------------------------------|-------|
| Operating voltage AC max.          | 600 V |
| Current operating per contact max. | 16 A  |

**Diagnostics**

|                       |    |
|-----------------------|----|
| Status indication LED | no |
|-----------------------|----|

**Installation | Connection**

The information in this Product-PDF has been compiled with the utmost care.  
Liability for the correctness completeness and topicality of the information is restricted to gross negligence. Version: 2024-06-26

Stripping length (jacket) 100 mm

#### Installation | Pin assignment

Coding Type 3  
Configuration partly used

#### Device protection | Electrical

Additional condition protection degree inserted, locked  
Pollution Degree 3  
Rated surge voltage 6 kV  
Material group (IEC 60664-1) I

#### Mechanical data | Material data

Material housing PUR  
Material contact carrier PA  
Locking material POM

#### Mechanical data | Mounting data

Looking techniques bayonet-locking

#### Environmental characteristics | Climatic

Operating temperature min. -30 °C  
Operating temperature max. 85 °C  
Additional condition temperature range depending on cable quality

#### Important installation notes

Note on strain relief Protect the connectors by suitable measures from mechanical loads, e.g. by the usage of cable ties.  
Note on bending radius **Attention:** Observe the permissible bending radii when laying cables, as the IP protection class can be endangered by excessive bending forces.

#### Conformity

Product standard IEC 61076-2-116

#### Installation | Cable

wire arrangement black 3, black 2, black 1, green-yellow  
Cable identification P72  
Cable Type 1  
Function cable Power  
Printing color of wire insulation white (isolation black)  
Jacket Color black  
Type of Certificate cURus  
Amount stranding 1  
Stranding 4 wires twisted  
wire arrangement black 3, black 2, black 1, green-yellow  
Cable weight 167,75 g/m  
Material jacket PVC  
Shore hardness jacket 90 ± 5 Shore A  
Freedom from ingredients (jacket) lead-free, cadmium-free, CFC-free  
Outer-diameter (jacket) 8,8 mm  
Tolerance outer diameter (sheath) ± 5 %  
Material wire insulation PP  
Amount wires 4  
Outer diameter insulation 2,85 mm  
Outer diameter tolerance core insulation ± 5 %  
Shore hardness wire insulation 60 ± 5 Shore D  
Ingredient freeness wire insulation lead-free, cadmium-free, CFC-free, halogen-free, silicone-free  
Printing color of wire insulation white (isolation black)  
Amount strands (wire) 140  
Diameter of single wires 0,15 mm

|   |  |
|---|--|
| Conductor crosssection (wire)                     | 2,5 mm <sup>2</sup>                                  |
| Material conductor wire                           | Stranded copper wire, bare                           |
| Conductor type (wire)                             | strand class 6                                       |
| Electrical function wire                          | Power  |
| Nominal voltage AC max.                           | 1000 V   |
| Current load capacity (standard)                  | to DIN VDE 0298-4                                    |
| Current load capacity min. wire                   | 20,8 A   |
| Electrical function wire                          | Power  |
| Electrical resistance line constant wire          | 8 Ω/km @ 20 °C                                       |
| AC withstand voltage (wire - wire)                | 10 kV  |
| Power frequency withstand voltage (wire - jacket) | 10 kV  |
| Min. operating temperature (static)               | -40 °C   |
| Max. operating temperature (fixed)                | 80 °C  |
| Operating temperature min. (dynamic)              | -25 °C   |
| Operating temperature max. (dynamic)              | 80 °C  |
| UV resistance                                     | DIN EN ISO 4892-2 A                                  |
| Flame resistance                                  | UL 1581 § 1090   UL 1581 § 1100 FT2   IEC 60332-2-2  |
| chemical resistance                               | Good, application-related testing                    |
| Gasoline resistance                               | Good, application-related testing                    |
| Oil resistance                                    | DIN EN 60811-404   Good, application-related testing |
| Bending radius (fixed)                            | 5 x Outer diameter                                   |
| Bending radius (dynamic)                          | 10 x Outer diameter                                  |