

**MQ15-X-Power male 0° with cable**

PVC 6x1,5 bk UL/CSA 7,0m

Male straight

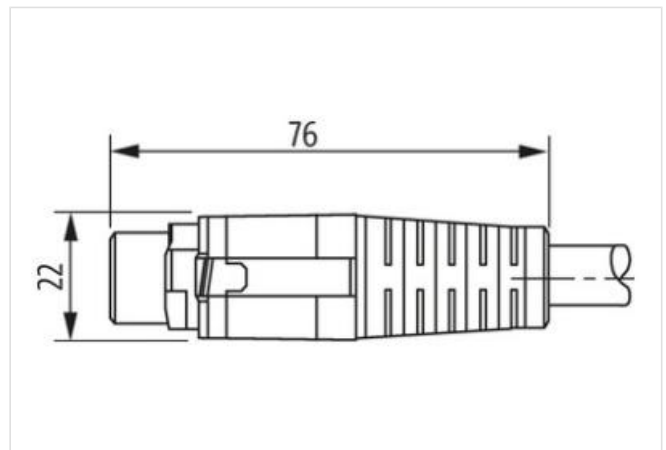
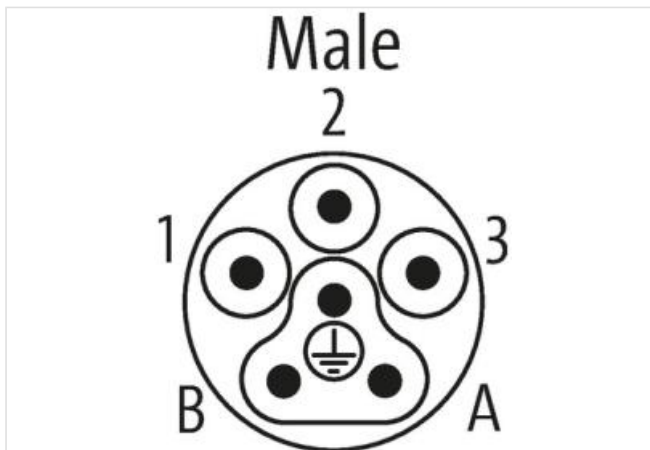
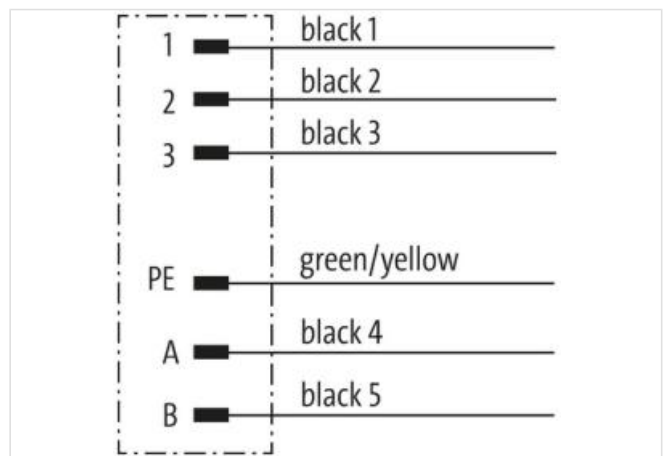
MQ15, 6-pole

without cable sleeves

Plastic housings with good resistance against chemicals and oils.

The resistance to aggressive media should be individually tested for your application. Further details on request.

Further cable lengths on request.

[Link to Product](#)**Illustration**

Product may differ from Image

Cable length 7 m

**Side 1**

Mounting method inserted, screwed

Coating contact silver-plated

Family construction form MQ15

Material contact Copper alloy

No. of poles 6

**Side 2**

The information in this Product-PDF has been compiled with the utmost care.

Liability for the correctness completeness and topicality of the information is restricted to gross negligence. Version: 2024-06-26

Murrelektronik GmbH | Falkenstraße 3 | 71570 Oppenweiler | Fon +49 (71 91) 47-0 | Fax +49 (71 91) 47-491000 | shop@murrelektronik.de | shop.murrelektronik.de

Stripping length (jacket) 30 mm

#### Commercial data

|                       |               |
|-----------------------|---------------|
| ECLASS-6.0            | 27279218      |
| ECLASS-6.1            | 27279218      |
| ECLASS-7.0            | 27279218      |
| ECLASS-8.0            | 27279218      |
| ECLASS-9.0            | 27060327      |
| ECLASS-10.1           | 27060311      |
| ECLASS-11.1           | 27060311      |
| ECLASS-12.0           | 27060327      |
| ETIM-5.0              | EC001576      |
| customs tariff number | 85444290      |
| GTIN                  | 4048879815840 |
| Packaging unit        | 1             |

#### Electrical data | Supply

|  |       |
|--|-------|
| Operating voltage AC per power contact max.  | 600 V |
| Operating voltage AC per signal contact max. | 63 V  |
| Operating voltage DC per signal contact max. | 63 V  |
| Operating current per power contact max.     | 13 A  |
| Operating current per signal contact max.    | 10 A  |

#### Diagnostics

|                       |    |
|-----------------------|----|
| Status indication LED | no |
|-----------------------|----|

#### Installation | Connection

|                           |       |
|---------------------------|-------|
| Stripping length (jacket) | 30 mm |
| Mating cycles min.        | 500   |

#### Installation | Pin assignment

|               |            |
|---------------|------------|
| Configuration | fully used |
|---------------|------------|

#### Device protection | Electrical

|  |                   |
|--|-------------------|
| Degree of protection (EN IEC 60529)    | IP67              |
| Additional condition protection degree | inserted, screwed |
| Pollution Degree                       | 3                 |
| Rated surge voltage                    | 4 kV              |
| Material group (IEC 60664-1)           | I                 |

#### Mechanical data | Material data

|                                     |         |
|-------------------------------------|---------|
| Combustibility class housing (UL94) | HB      |
| Material housing                    | Plastic |
| Material contact carrier            | PA      |

#### Mechanical data | Mounting data

|                    |                 |
|--------------------|-----------------|
| Looking techniques | bayonet-locking |
|--------------------|-----------------|

#### Environmental characteristics | Climatic

|  |                            |
|--|----------------------------|
| Operating temperature min.             | -25 °C                     |
| Operating temperature max.             | 80 °C                      |
| Additional condition temperature range | depending on cable quality |

#### Important installation notes

|                        |   |
|------------------------|---|
| Note on strain relief  | Protect the connectors by suitable measures from mechanical loads, e.g. by the usage of cable ties.   |
| Note on bending radius | <b>Attention:</b> Observe the permissible bending radii when laying cables, as the IP protection class can be endangered by excessive bending forces. |

#### Installation | Cable

|                      |   |
|----------------------|---|
| wire arrangement     | black 1, black 2, black 3, black 4, black 5, green-yellow |
| Cable identification | P24   |

|   |   |
|---|---|
| Jacket Color                                      | black   |
| wire arrangement                                  | black 1, black 2, black 3, black 4, black 5, green-yellow |
| Material jacket                                   | PVC   |
| Outer-diameter (jacket)                           | 9 mm  |
| Tolerance outer diameter (sheath)                 | ± 5 %   |
| Material wire insulation                          | PP  |
| Amount wires                                      | 6   |
| Conductor crosssection (wire)                     | 1,5 mm <sup>2</sup>                                       |
| Material conductor wire                           | Stranded copper wire, bare                                |
| Nominal voltage AC max.                           | 1000 V  |
| Electrical resistance line constant wire          | 13,3 Ω/km @ 20 °C   |
| AC withstand voltage (wire - wire)                | 4 kV  |
| Power frequency withstand voltage (wire - jacket) | 4 kV  |
| Min. operating temperature (static)               | -20 °C  |
| Max. operating temperature (fixed)                | 80 °C   |
| Operating temperature min. (dynamic)              | -5 °C   |
| Operating temperature max. (dynamic)              | 80 °C   |
| Flame resistance                                  | UL 1581 § 1090   UL 1581 § 1100 FT2   IEC 60332-2-2       |
| chemical resistance                               | Good, application-related testing                         |
| Gasoline resistance                               | Good, application-related testing                         |
| Oil resistance                                    | DIN EN 60811-404   Good, application-related testing      |
| Bending radius (fixed)                            | 5 x Outer diameter  |
| Bending radius (dynamic)                          | 15 x Outer diameter                                       |