

**M12 female 0° A-cod. with cable**

PUR 5x0.34 or UL/CSA+robot+drag ch. 10m

Female straight

M12, 5-pole

A-coded

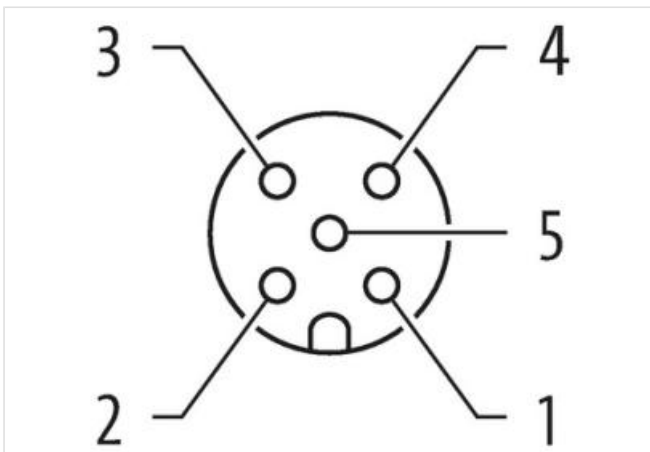
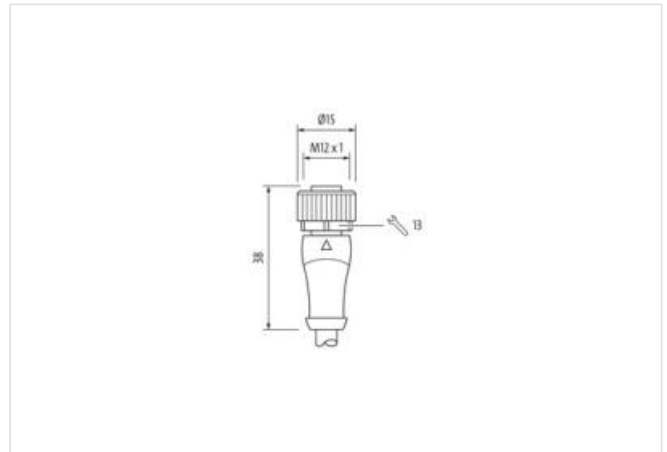
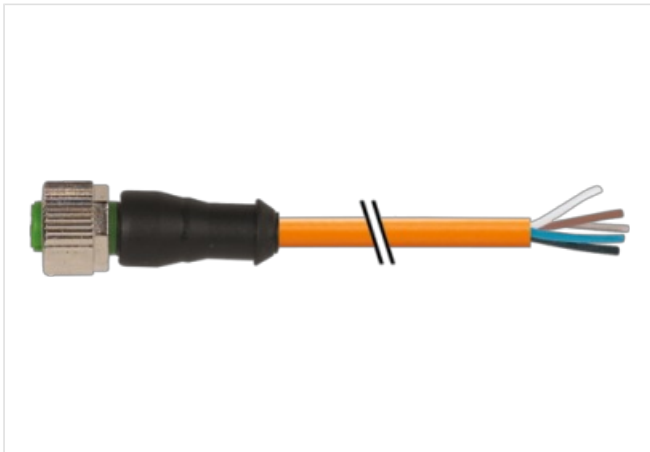
Art-No. 7005 - M12 Lite - (plastic hexagonal screw) on request

Plastic housings with good resistance against chemicals and oils.

Fulfills the requirements of MgU-I-B09-41 for the body construction industry.

The resistance to aggressive media should be individually tested for your application. Further details on request.

Further cable lengths on request.

**Link to Product****Illustration**

1	BN
2	WH
3	BU
4	BK
5	GY

Product may differ from Image



Cable length

10 m

**Side 1**

Tightening torque	0,6 Nm
Mounting method	inserted, screwed
Coating contact	gold plated
Family construction form	M12
Thread	M12 x 1
suitable for corrugated tube (internal Ø)	10 mm
Cable outlet	straight
Coding	A
Material contact	Copper alloy
Material	PUR
No. of poles	5
Width across flats	SW13
Degree of protection (EN IEC 60529)	IP65, IP66K, IP67

**Side 2**

Stripping length (jacket)	20 mm
Coating contact	gold plated
Family construction form	free cable end

**Commercial data**

ECLASS-6.0	27279218
ECLASS-6.1	27279218
ECLASS-7.0	27279218
ECLASS-8.0	27279218
ECLASS-9.0	27060311
ECLASS-10.1	27060311
ECLASS-11.1	27060311
ECLASS-12.0	27060311
ETIM-5.0	EC001855
customs tariff number	85444290
GTIN	4065909008508
Packaging unit	1

**Electrical data | Supply**

Operating voltage AC max.	125 V
Operating voltage DC max.	125 V
Operating voltage AC (UL-listed)	30 V
Operating voltage DC (UL-listed)	30 V
Current operating per contact max.	4 A

**Diagnostics**

Status indication LED	no
-----------------------	----

**Installation | Connection**

Stripping length (jacket)	20 mm
Mounting set	M12 x 1

**Device protection | Electrical**

Additional condition protection degree	inserted, screwed
Pollution Degree	3
Rated surge voltage	1,5 kV
Material group (IEC 60664-1)	I

**Mechanical data | Material data**

Coating locking	safe-cover coated
Coating of fitting	nickel plated
Material gasket	FKM
Locking material	Zinc die-casting

Material screw connection                      Zinc die-casting

#### Mechanical data | Mounting data

Mounting method                                  inserted, screwed, Shaking protection

#### Environmental characteristics | Climatic

Operating temperature min.                      -25 °C

Operating temperature max.                      85 °C

Additional condition temperature range        depending on cable quality

#### Important installation notes

Note on strain relief                                Protect the connectors by suitable measures from mechanical loads, e.g. by the usage of cable ties.

Note on bending radius                            **Attention:** Observe the permissible bending radii when laying cables, as the IP protection class can be endangered by excessive bending forces.

#### Conformity

Product standard                                  DIN EN 61076-2-101 (M12)

#### Installation | Cable

wire arrangement                                brown, black, blue, white, gray

Cable identification                                577

Cable Type    5

Jacket Color                                        orange

Type of Certificate                                cURus

Approvals                                         cURus (AWM-Style 20549/10493), CE compliant, VASS 6 compliant, according to MgU-I-B09-41 (March 2021)

Amount stranding                                 1

Stranding                                         5 wires around Core filler twisted

Filler    yes

wire arrangement                                brown, black, blue, white, gray

Cable weight                                      49,5 g/m

Material jacket                                    PUR

Shore hardness jacket                            54 ± 5 Shore D

Freedom from ingredients (jacket)            lead-free, cadmium-free, CFC-free, halogen-free, silicone-free

Outer-diameter (jacket)                        5,2 mm

Tolerance outer diameter (sheath)           ± 5 %

Material wire insulation                        PP

Amount wires                                    5

Outer diameter insulation                      1,25 mm

Outer diameter tolerance core insulation    ± 5 %

Shore hardness wire insulation               73 ± 5 Shore D

Ingredient freeness wire insulation        lead-free, cadmium-free, CFC-free, halogen-free, silicone-free

Amount strands (wire)                        43

Diameter of single wires                      0,1 mm

Conductor crosssection (wire)               0,34 mm<sup>2</sup>

Material conductor wire                        Stranded copper wire, bare

Conductor type (wire)                         strand class 6

Nominal voltage AC max.                      300 V

Current load capacity (standard)            to DIN VDE 0298-4

Current load capacity min. wire              4,5 A

Electrical resistance line constant wire    60 Ω/km @ 20 °C

AC withstand voltage (wire - wire)        2,5 kV @ 60 s

Power frequency withstand voltage (wire - jacket)    2,5 kV @ 60 s

Min. operating temperature (static)        -40 °C

Max. operating temperature (fixed)        80 °C / 90 °C @ 10000 h Operation

Operating temperature min. (dynamic)     -25 °C

Operating temperature max. (dynamic)     80 °C / 90 °C @ 10000 h Operation

Flame resistance                                 UL 1581 § 1090 | IEC 60332-2-2 | UL 1581 § 1100 FT2

chemical resistance	Good, application-related testing
Gasoline resistance	Good, application-related testing
Oil resistance	DIN EN 60811-404   Good, application-related testing
Bending radius (fixed)	5 x Outer diameter
Bending radius (dynamic)	10 x Outer diameter
No. of bending cycles (C-track)	10 Mio. @ 25 °C
Traversing distance (C-track)	5 m @ 25 °C   horizontal
Travel speed (C-track)	3,3 m/s @ 25 °C
No. of torsion cycles	1 Mio.
Torsion stress	± 360 °/m
Torsion speed	35 cycles/min