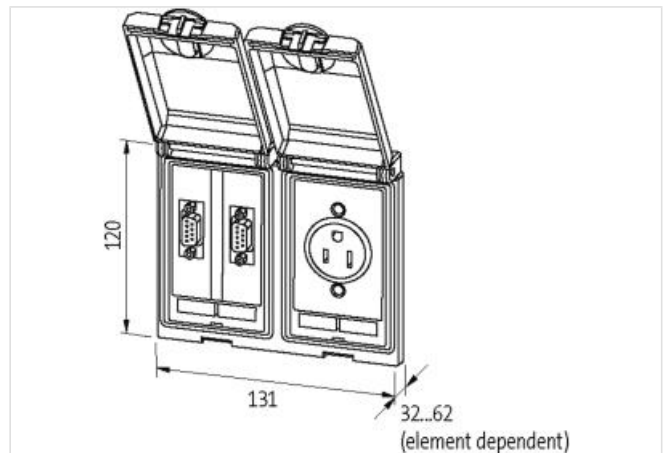


**Modlink MSDD-set: Frame 4000-68223-0000000,**  
insert 4000-68000-0080000 + 4000-68000-0080000

## Link to Product

### Illustration



Product may differ from Image



### Commercial data

ECLASS-6.0	27189217
ECLASS-6.1	27189217
ECLASS-7.0	27189217
ECLASS-8.0	27189217
ECLASS-9.0	27189217
ECLASS-10.1	27182806
ECLASS-11.1	27182806
ECLASS-12.0	27182806

ETIM-5.0	EC002625
customs tariff number	85389099
GTIN	4048879032940
Packaging unit	1

**Frame**

Degree of protection (EN IEC 60529)	IP65
Operating temperature min.	-10 °C
Operating temperature max.	60 °C
Storage temperature min.	-25 °C
Storage temperature max.	60 °C
Suitable for installation wall thickness min.	1 mm
Suitable for installation wall thickness max.	5 mm
Coating housing	surface finished
Color cover	transparent
Material lid	PC
Material housing	Fine zinc die casting

**Appliance-outlet**

Connection geometry	6.3 x 0.8 mm
Operating voltage AC	250 V
Operating current	10 A
Current operating ULc	15 A
Connection	plug-in connection
No. of poles	2 + PE
Protection contact present	yes