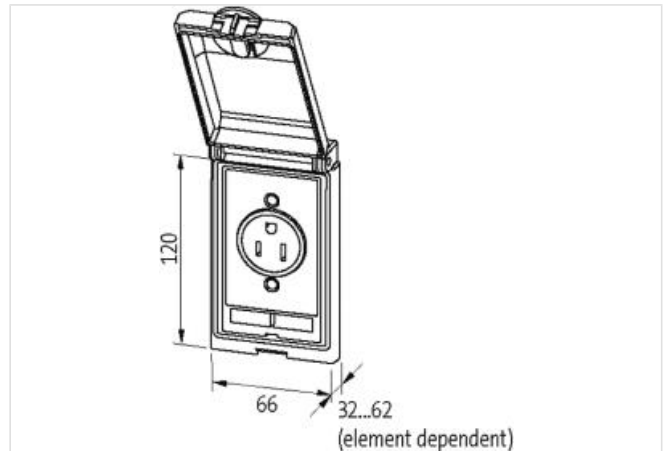


Modlink MSDD-set: Frame 4000-68113-0000000,

insert 4000-68000-0920000

Link to Product

Illustration



Product may differ from Image



Commercial data

ECLASS-6.0	27189217
ECLASS-6.1	27189217
ECLASS-7.0	27189217
ECLASS-8.0	27189217
ECLASS-9.0	27189217
ECLASS-10.1	27182806
ECLASS-11.1	27182806
ECLASS-12.0	27182806

ETIM-5.0	EC002625
customs tariff number	85366990
GTIN	4048879036153
Packaging unit	1

Frame

Degree of protection (EN IEC 60529)	IP65
Operating temperature min.	-10 °C
Operating temperature max.	60 °C
Storage temperature min.	-25 °C
Storage temperature max.	60 °C
Suitable for installation wall thickness min.	1 mm
Suitable for installation wall thickness max.	5 mm
Coating housing	surface finished
Material housing	Fine zinc die casting

Shielding plate

Connection information	Threaded hole M4
Tightening torque	0,9 Nm

USB

Operating voltage AC	48 V
Operating voltage DC	48 V
Operating voltage AC max. (UL-listed)	30 V
Operating voltage DC max. (UL-listed)	42,4 V
Operating current	1,5 A
USB specification	3.0
Data transmission rate max.	5000 MBit/s
Looking techniques	Snap-in connector