

Cube67 I/O Cable-Module, I/O Extension Module

DO16, Festo VTSA, Sub-D 37 pol., 0,75m

Expansion module

DO16 - Valve (E) 0.5 m

Multipole plug (70 mA)

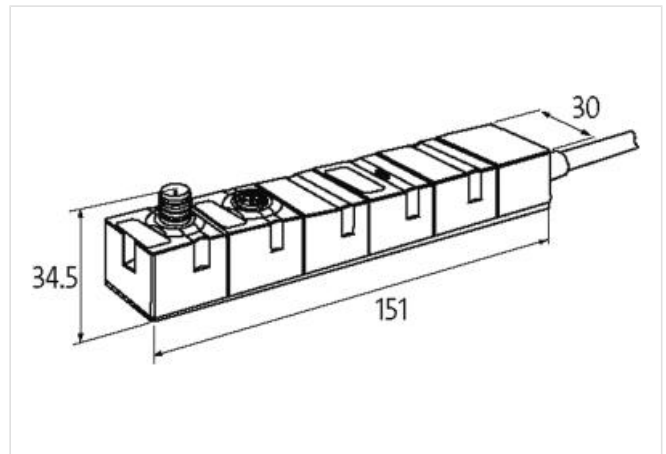
FESTO - VTSA

Connection cables are in the online shop under "Connection Technology".

Housing fully potted.

Link to Product

Illustration



Product may differ from Image



Commercial data

ECLASS-6.0	27242604
ECLASS-6.1	27242604
ECLASS-7.0	27242604
ECLASS-8.0	27242604
ECLASS-9.0	27242604
ECLASS-10.1	27242604
ECLASS-11.1	27242604
ECLASS-12.0	27242604
ETIM-5.0	EC001599
customs tariff number	85389099
GTIN	4048879045223
Packaging unit	1

Electrical data | Supply

Norm operating voltage	EN 61131-2
Operating voltage UA DC	24 V
Current consumption max.	50 mA
Total current UA max.	4 A
Total current US max.	4 A

Electrical data | Output

The information in this Product-PDF has been compiled with the utmost care.

Liability for the correctness completeness and topicality of the information is restricted to gross negligence. Version: 2024-06-26

Overload resistant	yes
Short-circuit protected	yes
Output current per pin max.	0,05 A
Diagnostics	
Actuator warning	per channel via BUS
Diagnostic	No voltage, Under voltage
Diagnostic via BUS	per module and channel
Diagnostic via LED	per module
Short circuit diagnosis	yes
LED display	Ethernet connection/data traffic
Overload diagnosis	yes
Device protection Electrical	
Degree of protection (EN IEC 60529)	IP67
Mechanical data Mounting data	
Suitable for mounting type	2-hole screw mounting
Height	150 mm
Width	30 mm
Depth	34,5 mm
Environmental characteristics Climatic	
Operating temperature min.	0 °C
Operating temperature max.	55 °C
Storage temperature min.	-20 °C
Storage temperature max.	75 °C
Connection type 3	
Connection type 1	Bus In
Connection type 2	Bus Out
Connection type 3	Data
Family construction form	M12
Gender	male
Color contact carrier	black
Coding	A
No. of poles	6
PIN 1	24 V DC (UA)
PIN 2	24 V DC (US)
PIN 3	0 V
PIN 4	Bus internal
PIN 5	Bus internal
PIN 6	0 V
Family construction form	M12
Gender	female
Color contact carrier	black
Coding	A
No. of poles	6
PIN 1	24 V DC (UA)
PIN 2	24 V DC (US)
PIN 3	0 V
PIN 4	Bus internal
PIN 5	Bus internal
PIN 6	0 V
Family construction form	D-Sub
Gender	female
No. of poles	36

PIN 1	Out 1
PIN 2	Out 2
PIN 3	Out 3
PIN 4	Out 4
PIN 5	Out 5
PIN 6	Out 6
PIN 7	Out 7
PIN 8	Out 8
PIN 9	Out 9
PIN 10	Out 10
PIN 11	Out 11
PIN 12	Out 12
PIN 13	Out 13
PIN 14	Out 14
PIN 15	Out 15
PIN 16	Out 16
PIN 35	Sens
PIN 36	0 V