

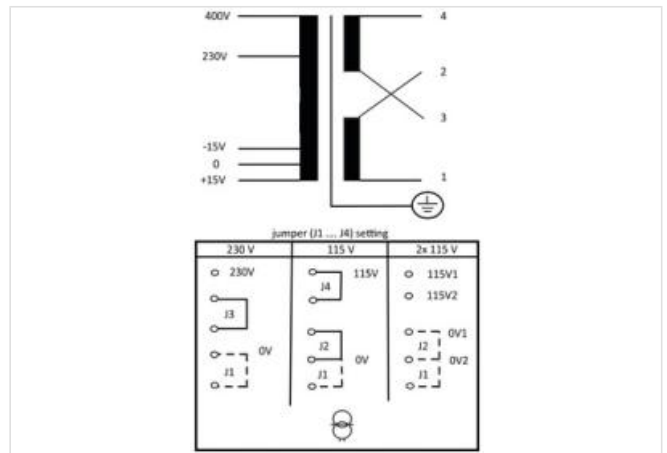
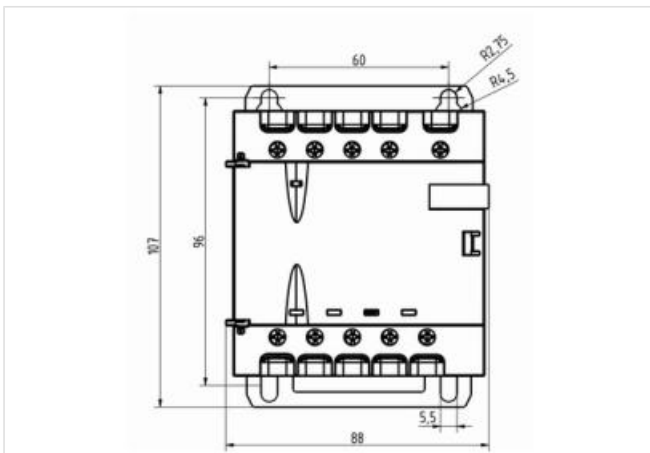
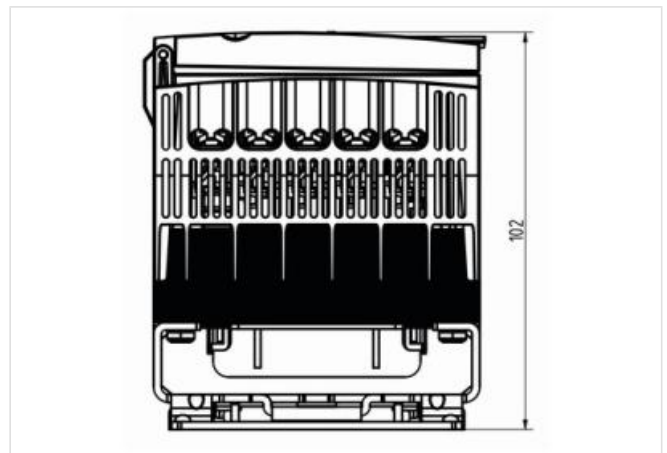
MTL 1-PHASE CONTROL AND ISOLATION TRANSFORMER

P: 40VA IN: 230/400VAC +/- 15VAC OUT: 2x115VAC

The MTL series comprises single-phase control transformers/isolating transformers of the protection class I and protection degree IP20 with double insulation between the primary and secondary windings for general use in industrial applications.

[Link to Product](#)

Illustration



Product may differ from Image



Commercial data

| | |
|-----------------------|---------------|
| ECLASS-6.0 | 27031302 |
| ECLASS-7.0 | 27031302 |
| ECLASS-8.0 | 27031302 |
| ECLASS-9.0 | 27031302 |
| ETIM-5.0 | EC002486 |
| customs tariff number | 85043180 |
| GTIN | 4048879078221 |

Packaging unit 1

Electrical data | Supply

Power frequency 50 ... 60 Hz

Electrical data | Input

Input voltage 1 AC 230 V

Input voltage 1 AC min. 195,5 V

Input voltage 1 AC max. 264,5 V

Input voltage 2 AC 400 V

Input voltage 2 AC min. 340 V

Input voltage 2 AC max. 460 V

Input current at input voltage 1 AC 0,27 A

Input current at input voltage 2 AC 0,15 A

Inrush current at input voltage 1 3 A

Inrush current at input voltage 2 1,73 A

Short-circuit current at input voltage 1 3,57 A

Short-circuit current at input voltage 2 2,06 A

Electrical data | Output

Output voltage 1 × 230 / 1 × 115 / 2 × 115 V AC

Output voltage AC 1 230 V

Output voltage AC 2 115 V

Output voltage adjustable yes

Power rating AC max. 40 VA

Diagnostics

Status indication LED green

Device protection | Electrical

Insulation test voltage input - output 4 kV

Mechanical data | Mounting data

Mounting method geschnappt

Suitable for mounting type Tragschiene TH35-15, Schlüssellochaufhängung, (EN 60715)

Mounting dimension a 96 mm

Mounting dimension b 60 mm

Mounting dimension c 5,5 mm

Height 108 mm

Width 87 mm

Depth 104 mm

Diameter bore 5,5 mm

Length bore 9 mm

Environmental characteristics | Climatic

Operating temperature min. -20 °C

Operating temperature max. 60 °C

Conformity

Product standard EN 61558-1, EN 61558-2-4, EN 62041 category 0

Connection type 2

Connection type 1 Input

Connection type 2 Output

Connection Screw terminals SK

Family construction form terminal

Gender female

No. of poles 5

PIN 1 + 15 V

PIN 3 - 15 V

| | |
|--------------------------|--------------------|
| PIN 4 | 230 V |
| PIN 5 | 400 V |
| Connection | Screw terminals SK |
| Family construction form | terminal |
| Gender | female |
| No. of poles | 5 |
| PIN 1 | PE |
| PIN 2 | 1 |
| PIN 3 | 2 |
| PIN 4 | 3 |
| PIN 5 | 4 |