

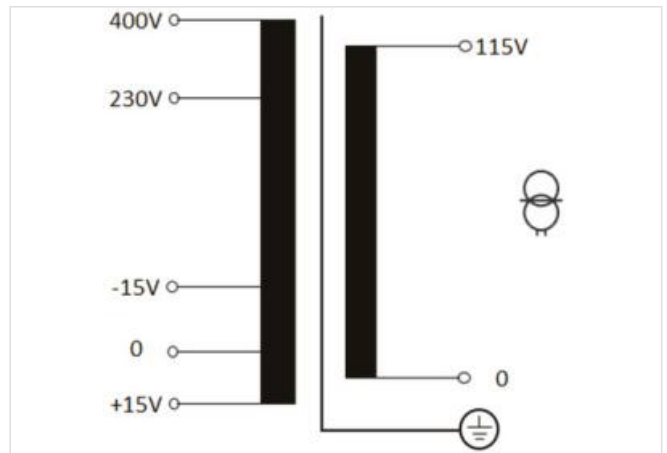
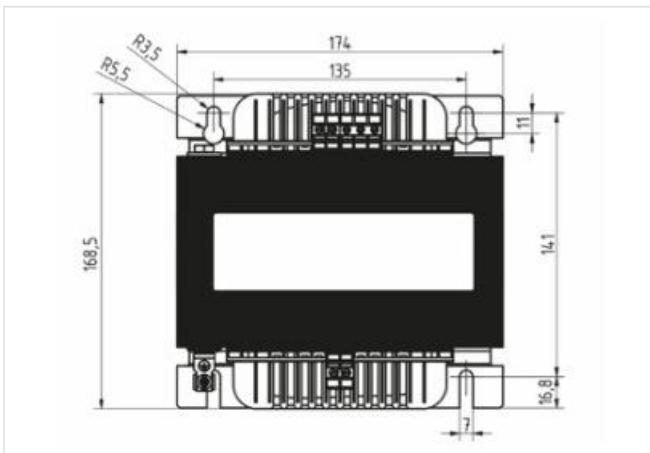
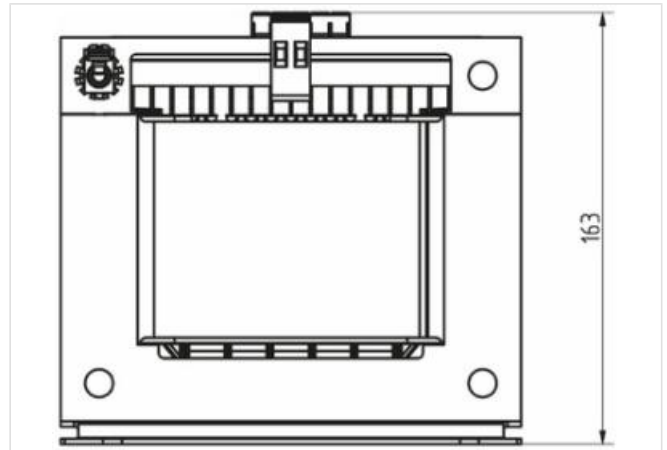
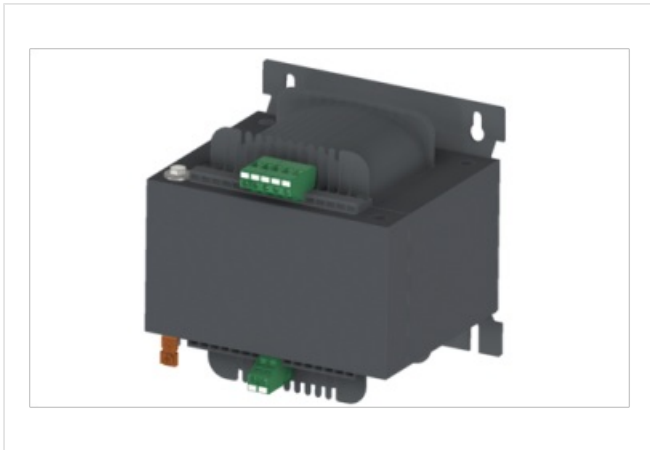
MET 1-Phase control and isolating transformer

P: 1600VA IN: 230-400VAC +/- 15VAC OUT: 115VAC

The MET series comprises single-phase control transformers/isolating transformers of the protection class I and protection degree IP00 with double insulation between the primary and secondary windings for general use in industrial applications.

[Link to Product](#)

Illustration



Product may differ from Image



Electrical data | Supply

Power frequency 50/60 Hz

Electrical data | Input

Input voltage 1 AC 230 V

Input voltage 2 AC 400 V

Input current at input voltage 1 AC 7,3 A

Input current at input voltage 2 AC 4,2 A

| | |
|--|-------|
| Inrush current at input voltage 1 | 137 A |
| Inrush current at input voltage 2 | 79 A |
| Short-circuit current at input voltage 1 | 333 A |
| Short-circuit current at input voltage 2 | 192 A |

Electrical data | Output

| | |
|-------------------|-------|
| Output voltage AC | 115 V |
|-------------------|-------|

Mechanical data | Mounting data

| | |
|----------------------------|------------------------|
| Mounting method | screwed |
| Suitable for mounting type | Schlüssellochauhängung |
| Mounting dimension a | 141 mm |
| Mounting dimension b | 135 mm |
| Mounting dimension c | 3,5 mm |
| Height | 168,5 mm |
| Width | 174 mm |
| Depth | 163 mm |
| Diameter bore | 3,5 mm |
| Length bore | 11 mm |

Environmental characteristics | Climatic

| | |
|--------------------------|--------|
| Ambient temperature min. | -20 °C |
| Ambient temperature max. | 50 °C |
| Storage temperature min. | -30 °C |
| Storage temperature max. | 80 °C |

Conformity

| | |
|------------------|------------------------------------|
| Product standard | EN 61558-1, EN 61558-2-4, EN 62041 |
| EMC | 2014/30/EU |

Commercial data

| | |
|-----------------------|---------------|
| customs tariff number | 85043200 |
| GTIN | 4065909079003 |
| Packaging unit | 1 |